

MAINTENANCE-FREE BATTERY VRLA DEEP CYCLE

VPRO SOLAR 140Ah 12V

INDEKS: 6AKXDEEP14
EAN: 5903760240851

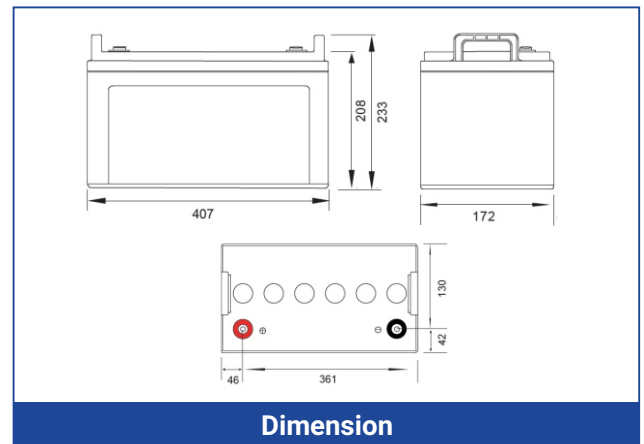
DEEP CYCLE batteries by **VOLT POLSKA** are superior deep cycle design with thick plates, high-density active materials and slightly stronger electrolyte, which can withstand repeated deep cyclic applications. **The general features are:** safety sealing, non-spillable construction, high power density, excellent recovery from deep discharge, thick plates and high active materials, longer life and low self-discharge design. **DEEP CYCLE batteries** have 8-10 years design life at 25°C. They can be applied in solar and wind power system, emergency power system, communication equipment, telecommunication systems, marine equipment, uninterruptible power supplies, medical equipment, fire and security system.

Main technical data:

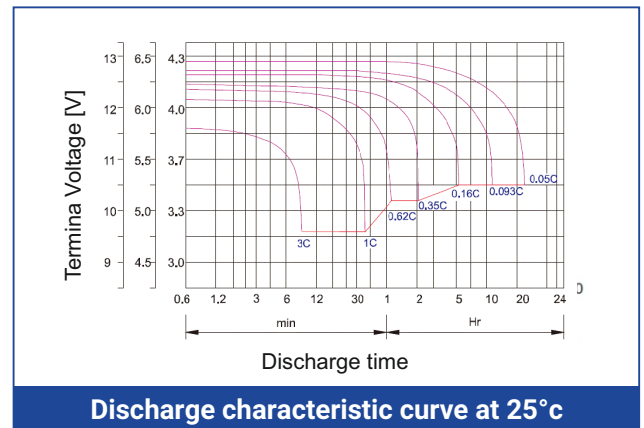
Nominal voltage		12V
Rated capacity		140 Ah
Dimension	total height	233 mm
	height	233 mm
	width	172 mm
	length	407 mm
Approx Weight		33.5kg (73.85lbs) ± 3%
Gross dimensions		49,2x18x26,7mm
Gross weight		43,8kg

Other specification:

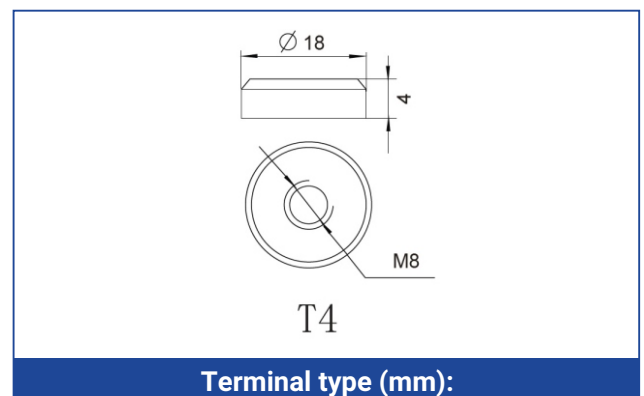
Capacity (at 25°C)	20h (10,5V)	140 Ah
	10h (10,5V)	126 Ah
	3h (10,2V)	90 Ah
	1h (9,6V)	72 Ah
Internal Resistance		~ 3,9mΩ
Capacity affected by temperature	40°C	102%
	25°C	100%
	0°C	85%
	-15°C	65%
Self discharge (at 25°C)	3 months	91%
	6 months	82%
	12 months	65%
Working temperature		25°C ± 3°C
Working temperature	Discharge	-15°C to 50°C
	Charge	-10°C to 50°C
	Storage	-20°C to 50°C
Float Use (25°C)	13,5 VDC	13,8 VDC
Cycle Use (25°C)	14,4 VDC	14,7 VDC
Max charging current		35 A
Max discharge current		1200A (przez 5 s)
Design life (25°C)		8-10 years



Dimension



Discharge characteristic curve at 25°C



Terminal type (mm):